

VLP-12-60-U

60W Constant Voltage Output



PERFORMANCE

Input Voltage	100-277VAC
Input Current	1.1A-0.45A
Input Frequency	47-63Hz
Power Factor	Normal
Output Voltage	DC12V+/-3%
Output Current	0-5.0 Amps
Output Power	60W max.

SAFETY

Over Current Protection	110-120%
Short Circuit Protection	Hiccup mode, auto recover
Other Protection	Over voltage
UL	UL879, UL8750, CSA C22.2 No. 207-M89
CE-LVD	EN61347-1:2008+A1:2011 +A2:2013, EN61347-2-13:2014

PHYSICAL

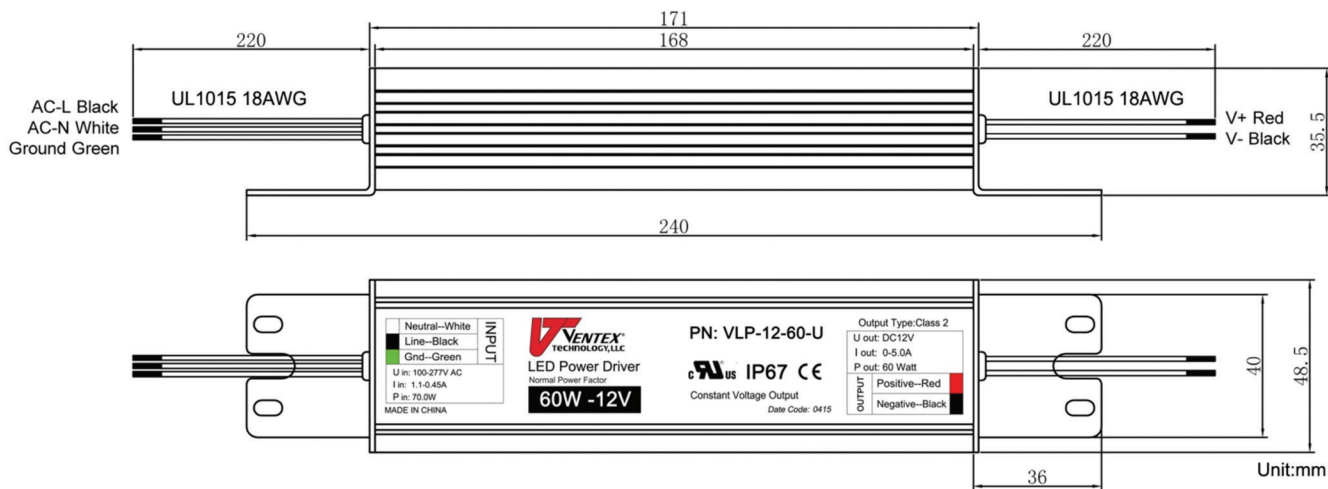
Length	6.7 in	171.0 mm
Width	1.9 in	48.5 mm
Height	1.4 in	35.5 mm
Mounting Length	9.4 in	240.0 mm
Weight	18.3 oz	520 g
Lead Lengths	7.8 in +/- .4 in	200 mm +/- 10 mm

ENVIRONMENTAL

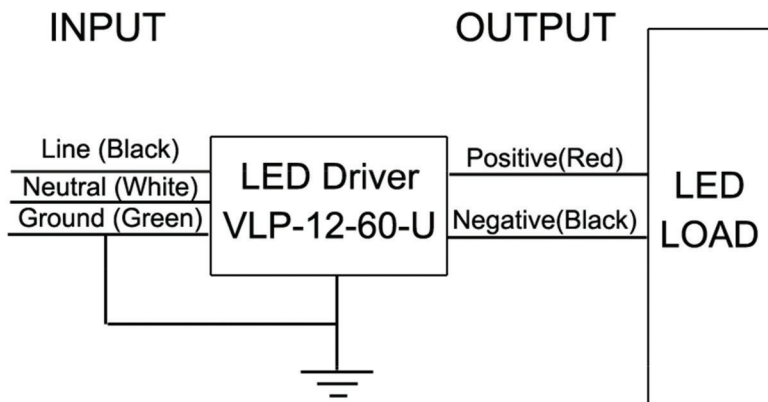
CE-EMC	EN55015, EN61547, EN61000
FCC	FCC 47 CFR PART 15, CLASS B
IP Rating	IP67
Operating Temperature	-22°F to 140°F / -30°C to 60°C
Storage Temperature	-40°F to 185°F / -40°C to 85°C
Relative Humidity	20 to +90% RH non-condensing



MECHANICAL OUTLINE



WIRING DIAGRAM



FEATURES AND BENEFITS

- Universal input voltage 100-277 VAC
- Meets UL, CE, EMC, FCC, ROHS certifications
- Aluminum shell
- Silicone potted
- 100% full load burn-in tested
- Dry or damp location rated

ORDERING GUIDE

V	LP-	12-	60-	U
VENTEX	LED Power Supply	12VDC Output	Max. 60W	Universal Input Voltage

