

# VLP-12-60-PCM-U

60W Constant Voltage Output



## PERFORMANCE

Input Voltage	100-277VAC
Input Current	1.1A-0.45A
Input Frequency	47-63Hz
Power Factor	Normal
Output Voltage	DC12V+/-3%
Output Current	0-5.0 Amps
Output Power	60W max.

## PHYSICAL

Length	6.5 in	167.0 mm
Width	1.65 in	42.0 mm
Height	1.25 in	32.0 mm
Mounting Length	7.4 in	187.0 mm
Weight	14.1 oz	400 g
Lead Lengths	7.8 in +/- .4 in	200 mm +/- 10 mm

## SAFETY

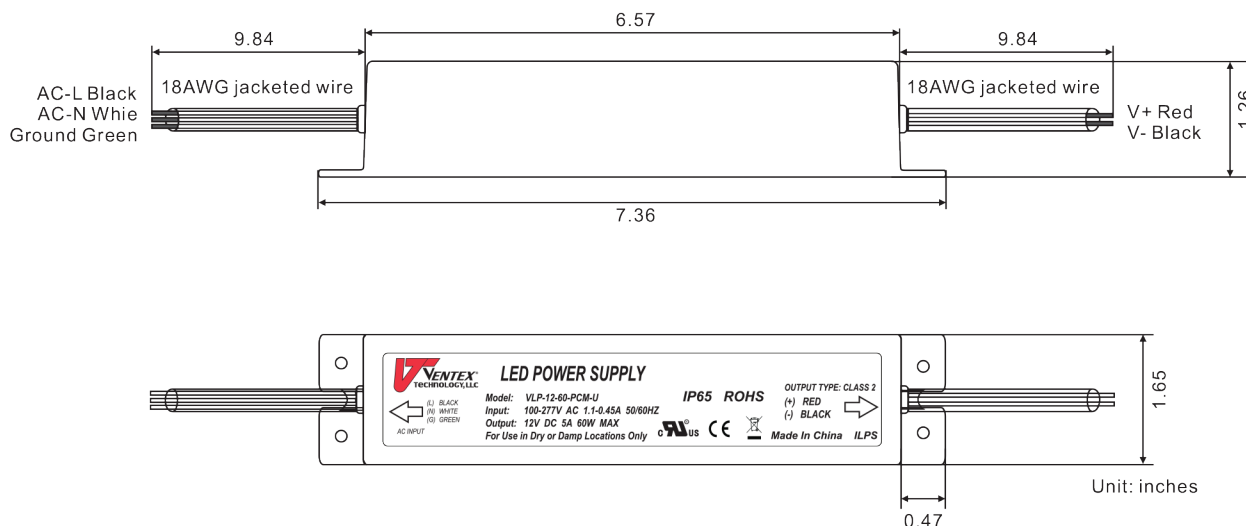
Over Current Protection	110-120%
Short Circuit Protection	Hiccup mode, auto recover
Other Protection	Over voltage
UL	UL879, UL8750, CSA C22.2 No. 207-M89
CE-LVD	EN61347-1:2008+A1:2011 +A2:2013, EN61347-2-13:2014

## ENVIRONMENTAL

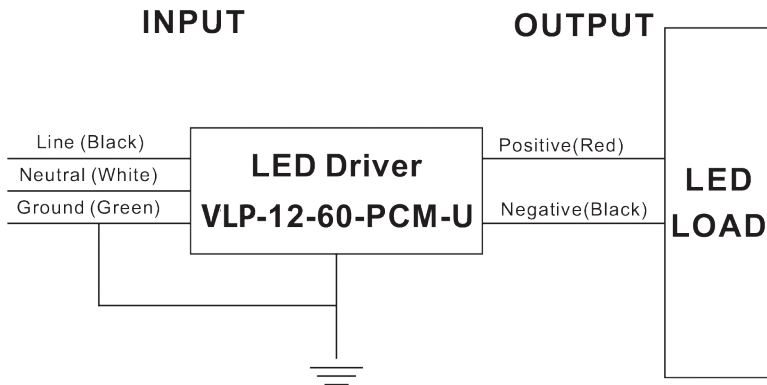
CE-EMC	EN55015, EN61547, EN61000
ROSH	IEC62321
IP Rating	IP67
Operating Temperature	-22°F to 140°F / -30°C to 60°C
Storage Temperature	-40°F to 185°F / -40°C to 85°C
Relative Humidity	20 to +90% RH non-condensing



### MECHANICAL OUTLINE



### WIRING DIAGRAM



### FEATURES AND BENEFITS

- Universal input voltage 100-277 VAC
  - Meets UL, CE, EMC, FCC, ROHS certification
  - Plastic shell, silicone potted
  - 100% full load burn-in tested
  - Dry or damp location rated
  - 18-3 primary wires (including grounding wire)
  - Jacketed primary and secondary wires
- NOTE: Use clamping bracket (86221) in Transformer Box Enclosure (86220) for VLP 12-60-PCM-U only.*

### ORDERING GUIDE

V	LP-	12-	60-	PCM	U
VENTEX	LED Power Supply	12VDC Output	Max. 60W	Plastic Case Model	Universal Input Voltage

