

VLP-12-120-U

120W Constant Voltage Output



PERFORMANCE

Input Voltage	100-277VAC
Input Current	2.2A-0.90A
Input Frequency	47-63Hz
Power Factor	Normal
Output Voltage	DC12V+/-3%
Output Current	0-5.0 Amps (Dual Output)
Output Power	120W max.

SAFETY

Over Current Protection	110-120%
Short Circuit Protection	Hiccup mode, auto recover
Other Protection	Over voltage
UL	UL879, UL8750, CSA C22.2 No. 207-M89
CE-LVD	EN61347-1:2008+A1:2011 +A2:2013, EN61347-2-13:2014

PHYSICAL

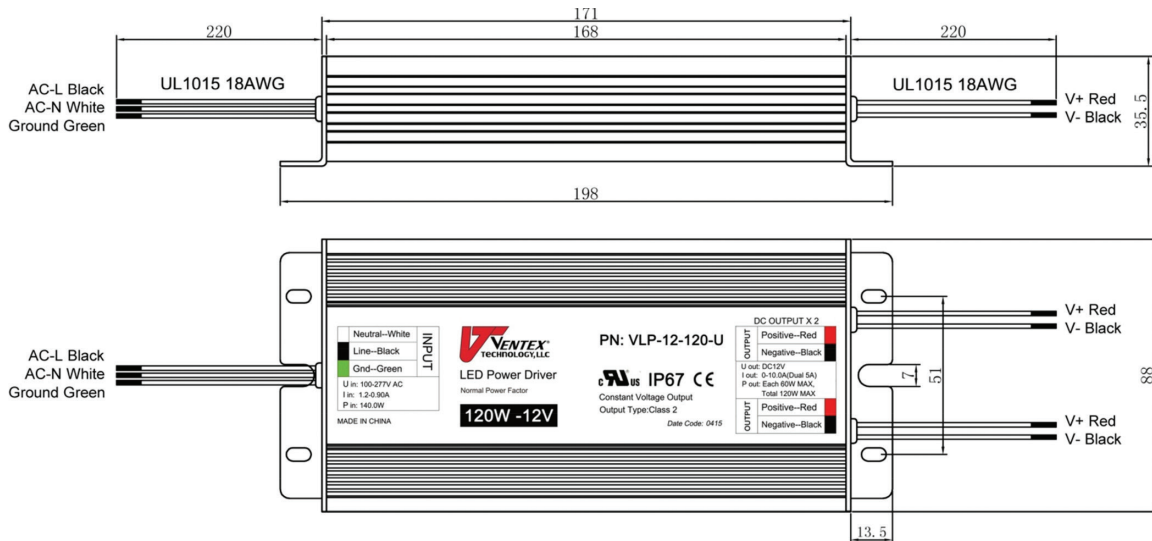
Length	6.5 in	171.0 mm
Width	3.5 in	88.0 mm
Height	1.4 in	35.5 mm
Mounting Length	7.8 in	198.0 mm
Weight	34.5 oz	980 g
Lead Lengths	7.8 in +/- .4 in	200 mm +/- 10 mm

ENVIRONMENTAL

CE-EMC	EN55015, EN61547, EN61000
FCC	FCC 47 CFR PART 15, CLASS B
IP Rating	IP67
Operating Temperature	-22°F to 140°F / -30°C to 60°C
Storage Temperature	-40°F to 185°F / -40°C to 85°C
Relative Humidity	20 to +90% RH non-condensing

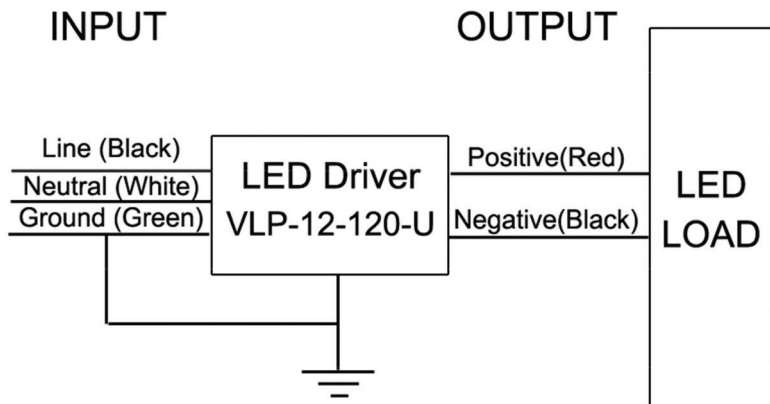


MECHANICAL OUTLINE



Unit:mm

WIRING DIAGRAM



FEATURES AND BENEFITS

- Universal input voltage 100-277 VAC
- Meets UL, CE, EMC, FCC, ROHS certification
- Aluminum shell, silicone potted
- 100% full load burn-in tested
- Dry or damp location rated
- Dual Output provides a total of 120W of Class 2 Power

ORDERING GUIDE

V	LP-	12-	120-	U
VENTEX	LED Power Supply	12VDC Output	Max. 120W	Universal Input Voltage

